

AFTERCARE INSTRUCTIONS

This shower enclosure should be cleaned with soap and water regularly. This is particularly important in hard water regions. Cleaners of an abrasive nature should not be used. Care should be taken to avoid contact with strong chemicals such as organic solvents and strippers. Glass cleaners can be used with caution. Please retain these instructions for aftercare and customer service details.

CUSTOMER SERVICE

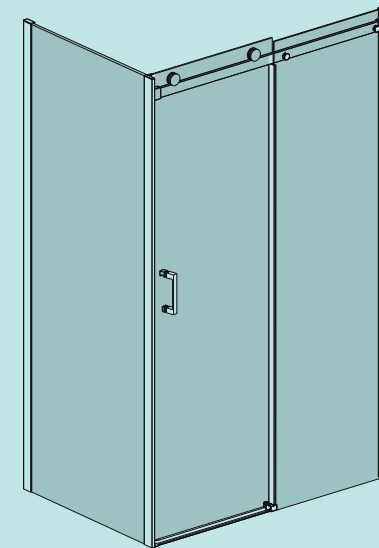
t: +44(0)208 686 5100
e: technical@saneux.com

4 Imperial Way
Croydon CR0 4RR

www.saneux.com

TATE

INSTALLATION INSTRUCTIONS

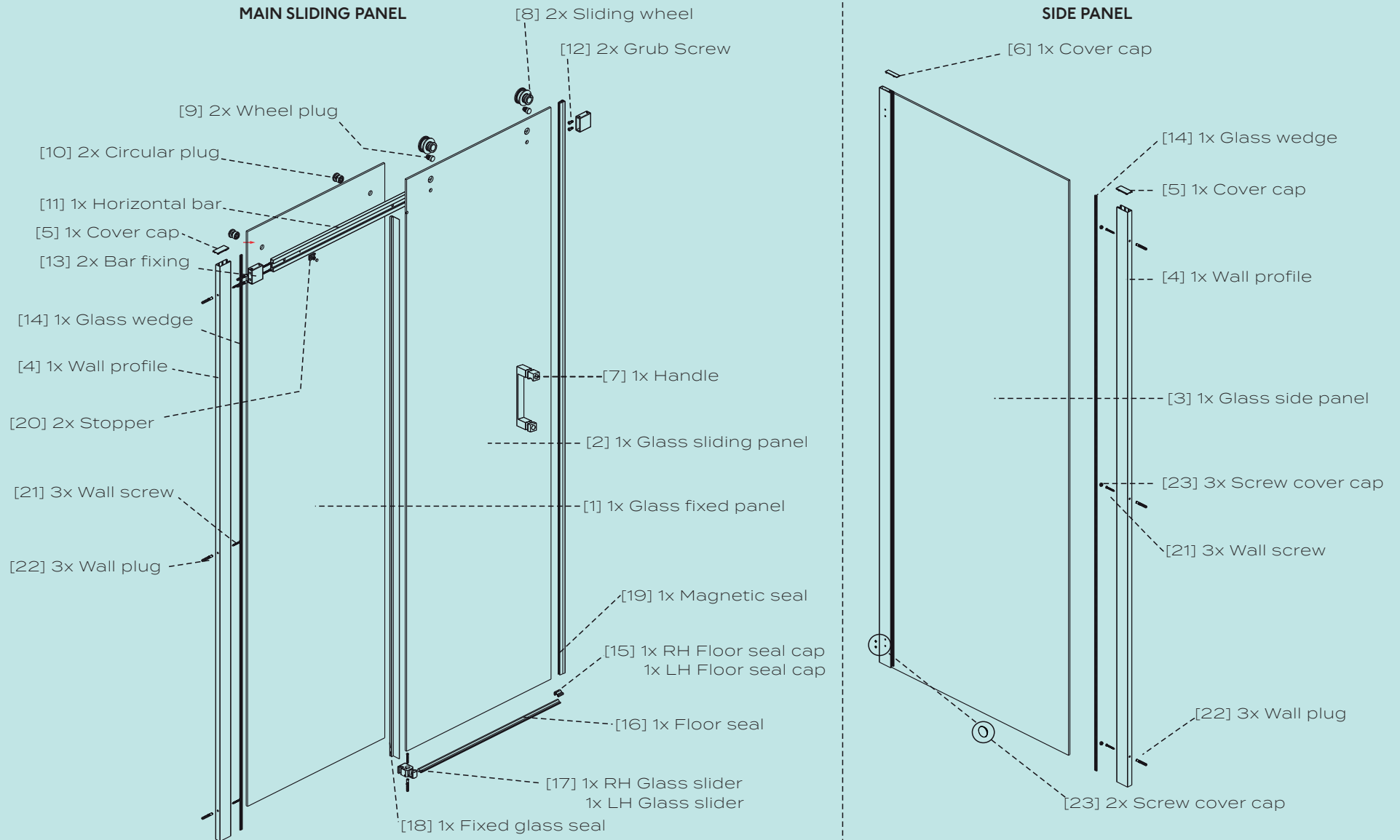


TT SHOWER ENCLOSURES

saneux

PART BREAKDOWN

Make sure that all components are present before installation.
When installing with a side panel, the side panel should be fitted first.



IMPORTANT! - BEFORE YOU BEGIN

Please read and understand these instructions carefully before you begin.

This product comes with a 15 year guarantee against manufacturing faults. For more details please go to www.saneux.com

If a shower enclosure has been installed contrary to these instructions, we cannot accept responsibility for any loss or damage.

Please inspect the product immediately upon receipt for transit damage, missing parts or manufacturing faults. Any damage or missing parts must be notified immediately. No claims will be accepted after installation.

Please handle the product with care, **avoiding knocks or shock loading to all sides and edges of the glass**. Safety glass cannot be re-worked.

Double check that the shower door you have ordered will fit into the chosen site. The fixings supplied are for use in solid walls. Hollow or stud walls will require specialist fixings.

Ensure all components are present, prior to installation.

IMPORTANT PRE-INSTALLATION CHECKS

Make sure that the shower tray is installed perfectly level in all directions against a solid, structural wall and that, before the installation of the shower enclosure, there is a full and continuous bead of silicone sealant between the top of the shower tray and the tile joint. Tiling should cover a minimum of 1900mm from the top of the shower tray.

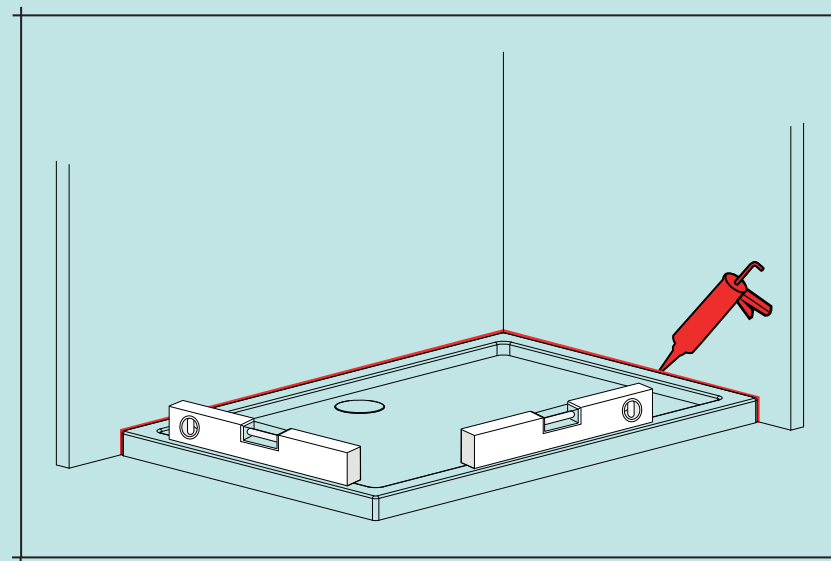
Surfaces to be siliconed should be degreased with a methylated spirit first, according to the safety instructions of the product.

Ensure there are no hidden pipes or cables in the wall before drilling.

When drilling holes in ceramic tiles, use a piece of masking tape on the tile to stop the drill bit from slipping.

DO NOT use your drill on hammer action when drilling holes in ceramic tiles.
ALWAYS wear PPE when drilling or lifting heavy objects.

We recommend that the installation of this product is carried out by a qualified professional.



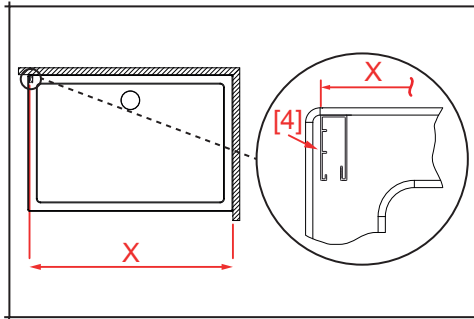
BEFORE YOU BEGIN

Make sure that the shower tray has been installed correctly, according to the manufacturer's instructions and that it is level in all directions.

The shower tray must be sealed to the wall before installing the shower screen.

TOOLS REQUIRED

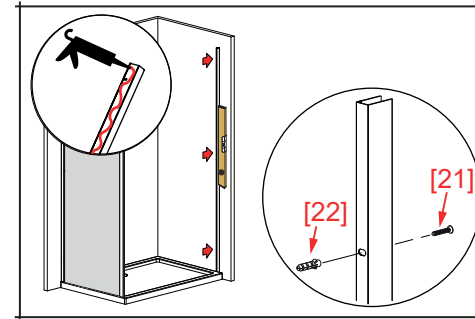
- 6mm masonry drill bit
- Power drill
- Pencil
- Spirit level
- Set of Phillips head screw drivers
- Quality silicone
- Tape measure



1. Side panel installation.

If installing without the side panel, skip steps 2 and 3.

Measure and mark the desired width of the front sliding door. The shower screen can be adjusted 15mm.
E.g.: If installing a 1200mm screen the range is 1185 -1200mm



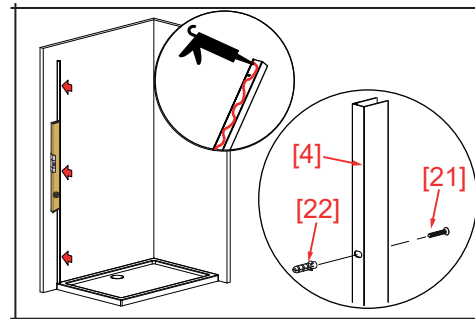
5. Sliding panel installation

Offer the profile to the wall, ensuring it is vertically level, mark the 3 existing holes in the profile on the wall.

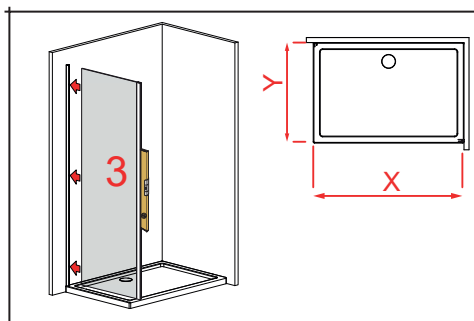
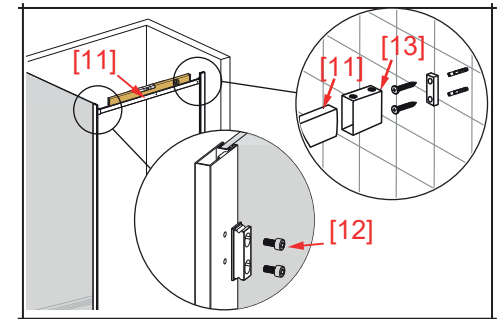
Drill the holes and place the plugs in the wall. The fixings provided are for solid walls. For stud or hollow walls use specialist fixings

Apply a generous bead of silicone sealant to the back of the profile prior to securing to the wall.

2.
Offer the profile to the wall, ensuring it is vertically level, mark the 3 existing holes in the profile on the wall. Drill the holes and place the plugs in the wall. The fixings provided are for solid walls. For stud or hollow walls use specialist fixings
Apply a generous bead of silicone sealant to the back of the profile prior to securing to the wall.

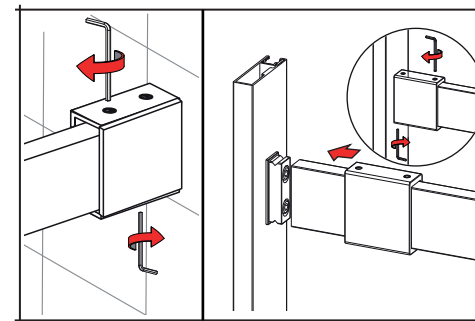


6.
Side panels are pre-drilled with the holes for the horizontal bar. If installing without a side panel, measure the height from the bottom of the fixed glass panel to the holes on the glass.
Place the horizontal bar (including both fixing blocks at either end) at the right height to suit the holes on the fixed glass panel. Mark the holes for the fixing blocks on the wall. Put the horizontal bar aside, drill the holes and fix the wall blocks.



3.

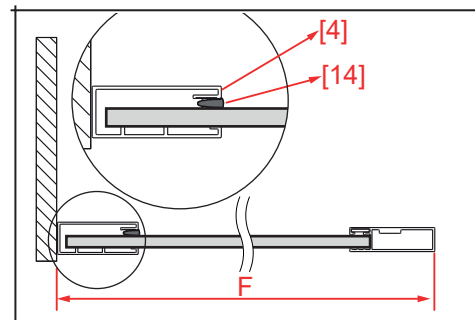
The Screen can now be inserted to the wall profile. The depth of the screen (Y) needs to match the width of the sliding door (X).
Make sure the screen is vertically level.



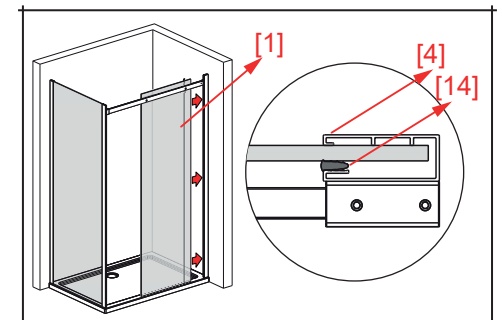
7.

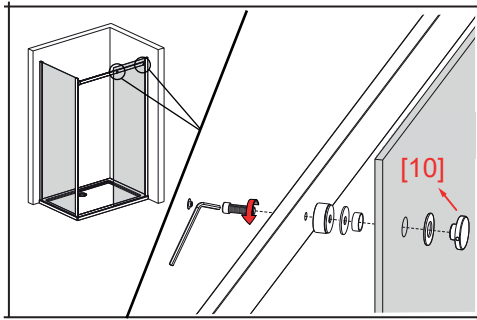
Insert the horizontal bar all the way through into one wall fixing block first and then into the other block. Make sure one more time that the horizontal bar is fully level.
The fixing blocks on either end of the horizontal bar can now be secured by tightening the grub screws as shown in the diagram.

4.
Once the screen is in position, insert the silicone wedge into the wall profile as shown in the diagram. Make sure that the silicone wedge is fully inserted between the metal profile and glass panel as this will ensure that the screen does not move once the installation is complete.

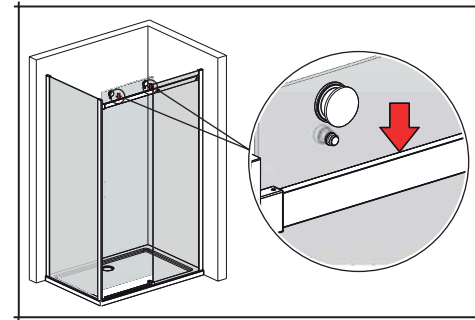


8.
Once the screen is in position, insert the silicone wedge into the wall profile as shown in the diagram. Make sure that the silicone wedge is fully inserted between the metal profile and glass panel as this will ensure that the screen does not move once the installation is complete.



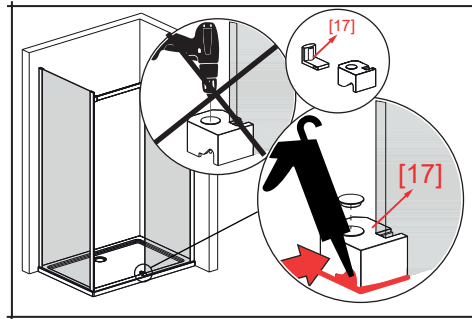


9. Assemble the wheel plug ensuring it is in the order shown in the diagram. Gently tighten the grub screw to secure the glass to the horizontal profile. Follow the same steps for the other wheel plug and then firmly tighten all grub screws.

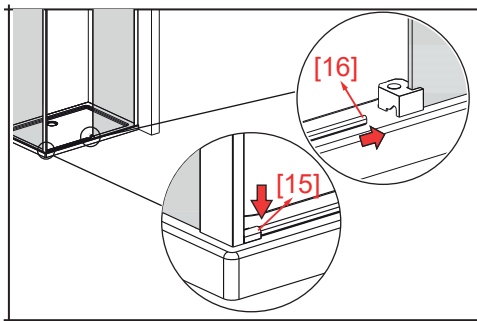
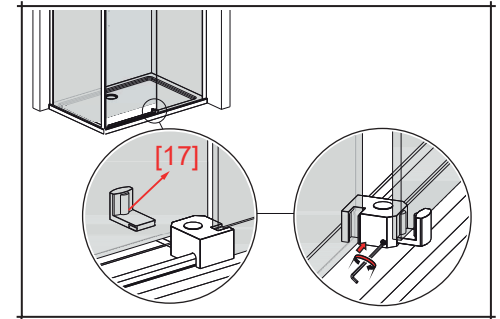


13. Place the sliding glass panel inside the shower enclosure, holding it above the horizontal bar. **We recommend a 2 person lift.** Gently place the wheels on the horizontal bar sliding glass, resting the entire glass panel on the horizontal bar.

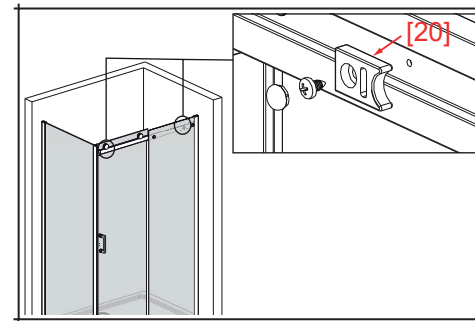
10. Put aside the L shaped part of the plastic glass slider for now. Apply silicone to the bottom of the plastic glass slider and attach it to the end of the fixed glass profile. Do not drill into any shower tray.



14. Secure the previously placed aside 'L' shaped part to the plastic glass slider, tightening the grub screw to fully secure the sliding glass panel.

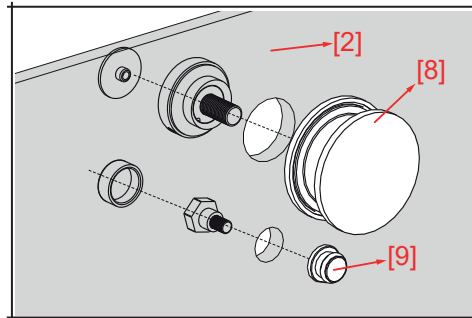


11. Apply silicone to the bottom of the floor seal and the inside of the seal cap. Place the seal cap on the end of the floor seal and insert the floor seal into the glass slider. Remove any excess silicone and allow it to dry until it is firm.

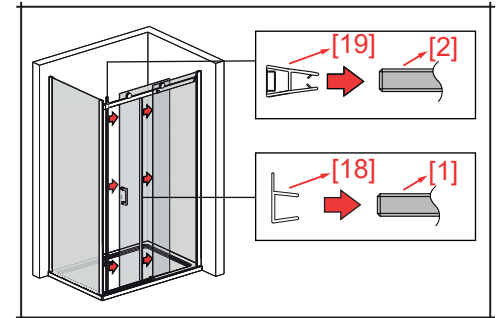


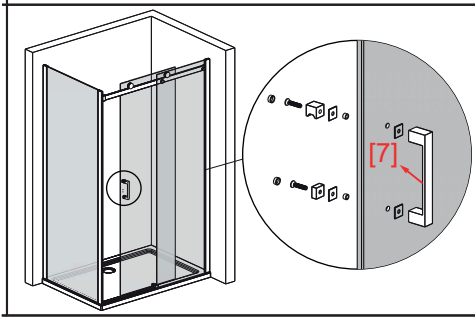
15. Fit the stoppers at either end of the horizontal bar.

12. Assemble the sliding wheel as shown in the diagram and fit it to the sliding glass panel. Tighten gently by hand until all parts are firmly assembled.



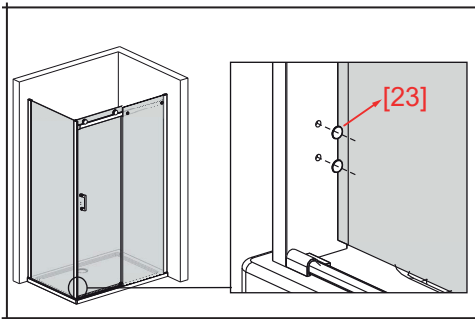
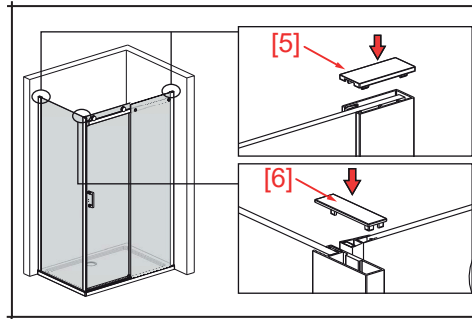
16. Fit the seals to both glass panels as shown on the diagram. Measure, mark and cut a notch on both seals at the point where they meet the horizontal bar, ensuring they fit uninterrupted along the edges of the glass.





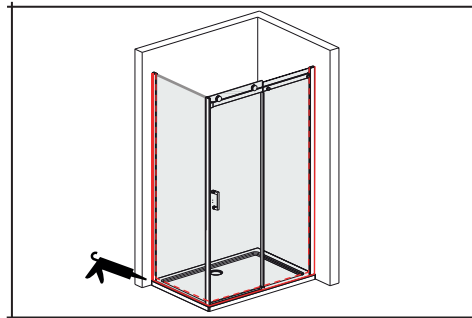
- 17.**
Assemble the handle to the sliding glass panel as shown in the diagram.

- 18.**
Place the caps on the vertical profiles, ensuring a tight fit.



- 19.**
If installing with a side profile, place the hole plugs on the bottom of the side panel profile.

- 20.**
Apply a generous bead of silicone along the inside and outside of the shower enclosure, making sure to create a watertight enclosure. Wipe off any excess silicone and allow to dry for 24h before running water.



INSTALLATION NOTES
