

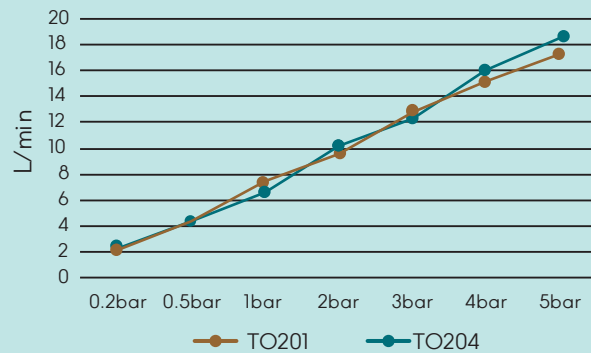
AFTERCARE INSTRUCTIONS

These products have a high quality, durable finish which in order to preserve, should be treated with care.

Clean with warm soapy water and a soft damp cloth only.

Cleaning products, including non-scratch ones could damage the finish.

WATER FLOW RATES



CUSTOMER SERVICE

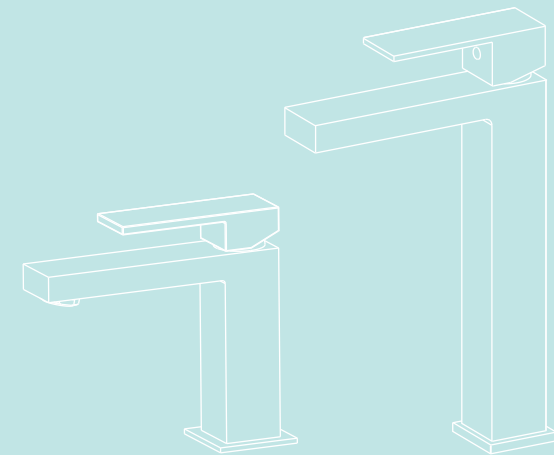
t: +44(0)208 686 5100
e: technical@saneux.com

Iain Stewart Centre, Beehive
Ring Road, Gatwick, RH6 0PB

www.saneux.com

TOOGA

INSTALLATION INSTRUCTIONS



TO201 - TO204
Basin Mixer, Tall Basin Mixer

saneux

INSTALLATION

Please note if installing in an enclosed environment, access should be left for servicing and maintenance.

1. Before making any inlet pipe connections, all supply pipes must be thoroughly flushed to remove debris. Failure to do so could result in damage or low flow from the mixer unit.
2. Refer to the components diagram and ensure all components are present before installation.
3. Place the mixer on the basin surface and fit the flexible hoses to the basin mixer using an appropriate spanner, make sure the hoses are not over tightened.
4. Screw the threaded bars to the basin mixer body.
5. Fit the mixer to the basin surface using the supplied rubber washer, metal washer and fixing nuts in the order indicated in the drawing. **DO NOT** overtighten as this may damage the basin. Remember to install the rubber O-ring between the basin mixer body and the basin surface.
6. Connect the water supply to the flexible hoses. Hot supply should always be connected to the left hose.
7. Fully open the mixer on both hot & cold sides and allow the water to run for approximately one minute to further flush the system.
8. Check all connections and ensure there are no leaks.

