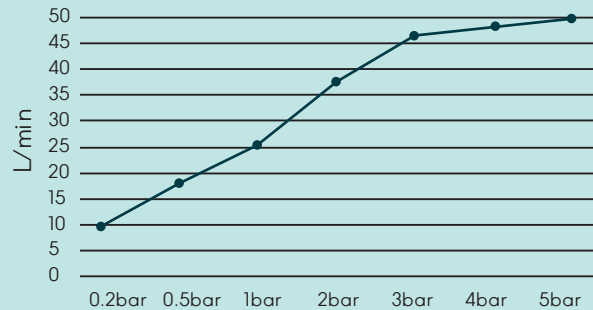


## AFTERCARE INSTRUCTIONS

These products have a high quality, durable finish which in order to preserve, should be treated with care.

Clean with warm soapy water and a soft damp cloth only.

Cleaning products, including non-scratch ones could damage the finish.



## CUSTOMER SERVICE

t: +44(0)208 686 5100

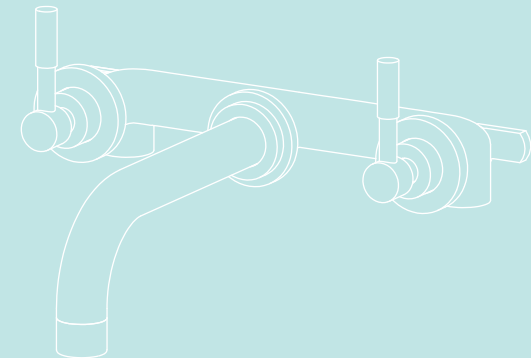
e: [technical@saneux.com](mailto:technical@saneux.com)

Iain Stewart Centre, Beehive  
Ring Road, Gatwick, RH6 0PB

[www.saneux.com](http://www.saneux.com)

# PASCALE

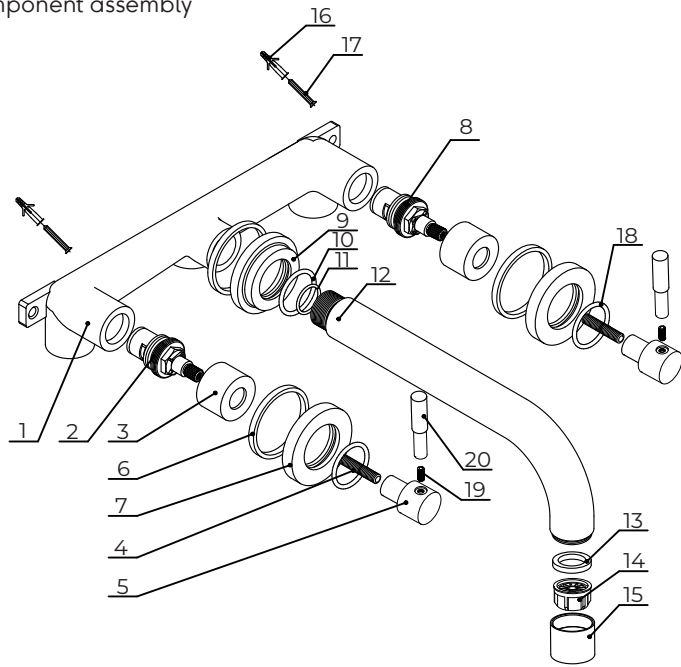
## INSTALLATION INSTRUCTIONS



PA005  
Wall Mounted 3 Set Basin Mixer

saneux

## Exploded component assembly



Prior to installation flush out the pipe work to remove debris and then ensure the water supply is turned off.

1. Ensure the pipework is correctly arranged to suit the position of the hot/cold inlets.

2. Remove the handles and fix the valve to the supporting framework.

3. Ensure the valve is set back from the finished front face of the wall by the correct depth of min 55mm, max of 65 (Allow for tiles, adhesive, etc).

4. Finish the wall around the valve, be sure to drill holes to a diameter of 36mm in the finished surface to expose the valve and cartridges.

5. Attach the handles to the valve, making sure the cartridges and handles are in the right orientation and screw the spout into the valve, making sure to angle the spout directly downward.

6. Apply silicone sealant to seal the backplate to the finished surface.

