

AFTERCARE INSTRUCTIONS

Excessive exposure to water will deteriorate the furniture. Wipe away any water splashes or condensation after use.

All bathrooms should be well ventilated, if needed, with a suitable extractor fan.

Clean with a soft damp cloth only.

Use a wax free polish if one must be used.

All electrical components are IP44 rated.

Do not allow water to come into contact with the electrical components.

CUSTOMER SERVICE

t: +44 208 686 5100

e: sales@saneux.com

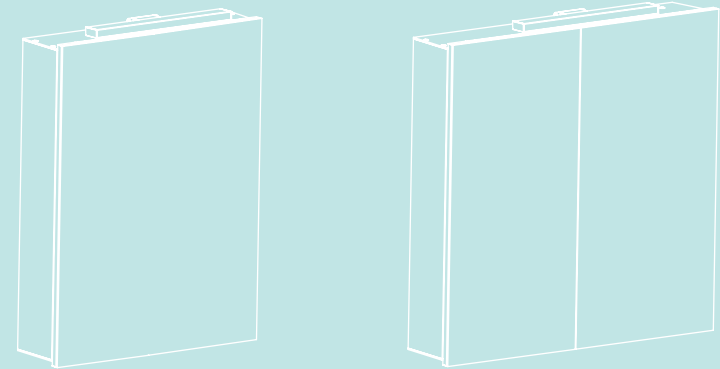
Iain Stewart Centre, Gatwick,
Beehive Ring Road, RH6 0PB

www.saneux.com



OLYMPUS

INSTALLATION INSTRUCTIONS



OLYO5OEC, OLYO6OEC, OLYO75EC, OLYO9OEC

saneux

Before drilling, ensure there are no hidden cables or pipes in the wall.

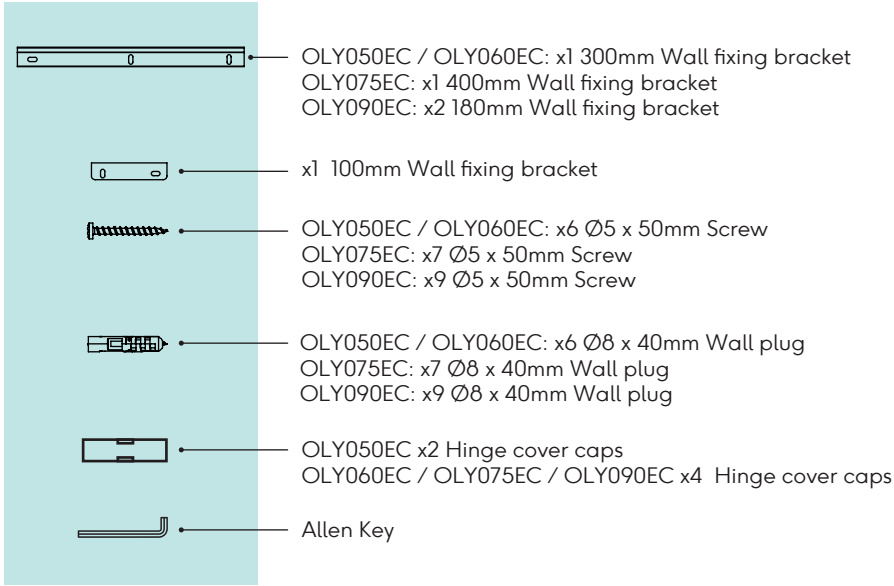
Throughout the entirety of the installation process, make sure that the domestic electrical mains supply to which the product is being connected is turned off.

When installing the product, a minimum distance of 300mm between the infrared sensor switch and any surface or object should be kept to ensure the correct operation of the sensor.

The cabinet must be connected to the earth wire of the household power supply.

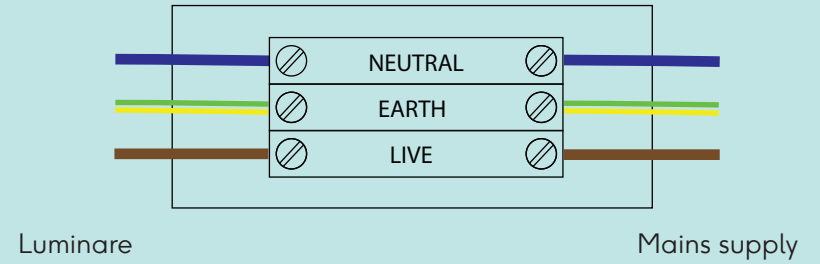
Ensure all components are present prior to installation.

COMPONENTS

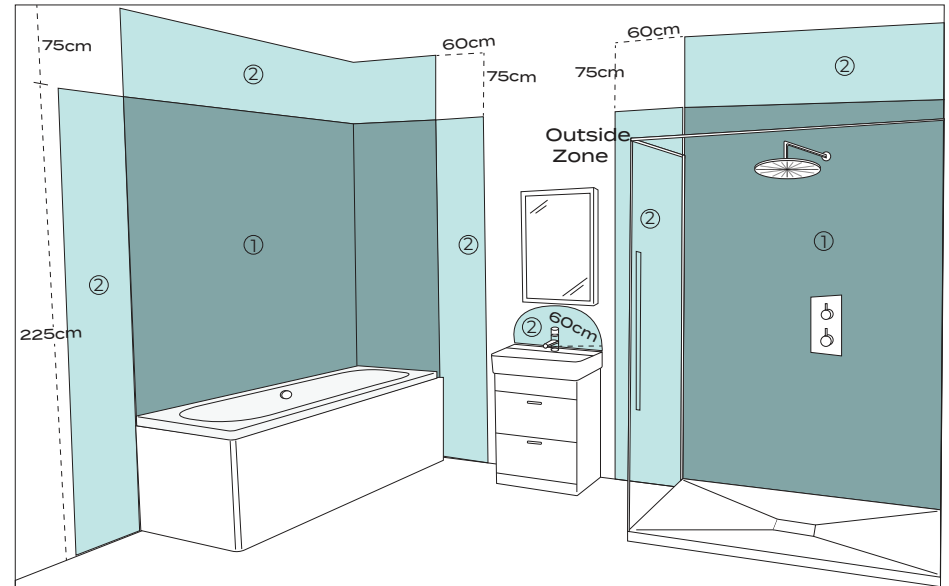


INSTALLATION NOTES

WIRING DIAGRAM

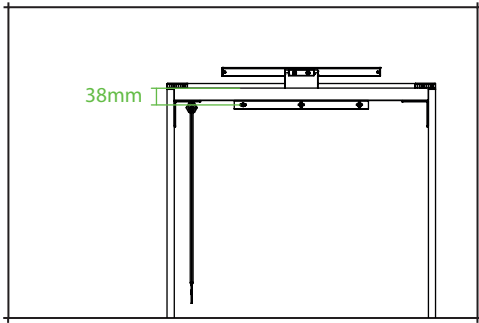


- The Live supply cable can be Red or Brown.
- The Earth supply is Green and Yellow.
- The Neutral supply can be Blue or Black.

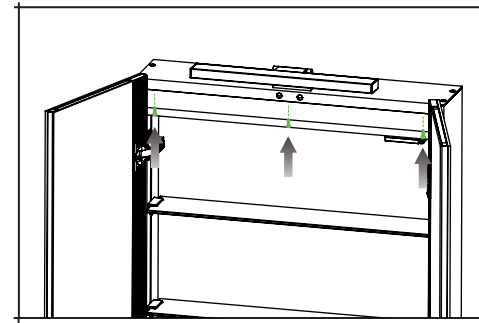


All electrical bathroom products should be fitted by a qualified electrician.

This product is suitable for installation in 'Zones 2 & Outside zones' indicated in the image above.

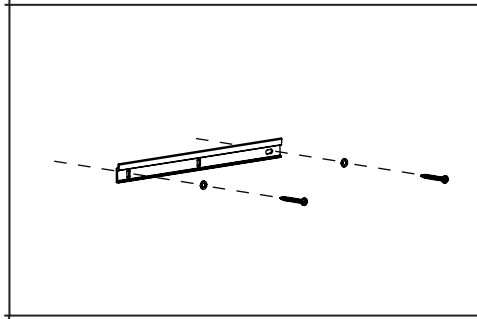


Mark out the location for the 300mm wall bracket. The wall bracket sits 38mm below the top edge of the cabinet carcass to the fixing holes.

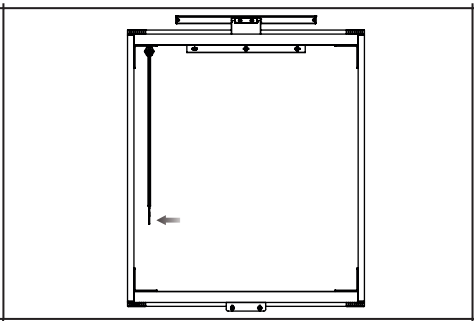
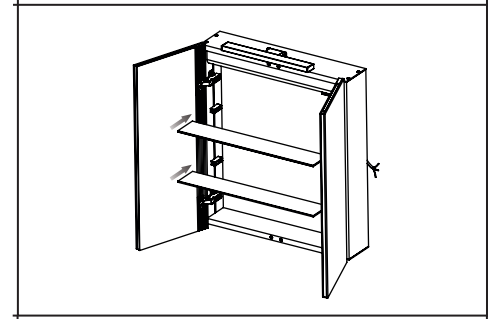


If access is needed to the Electronics component box, undo the 3 screws inside the top of the cabinet.

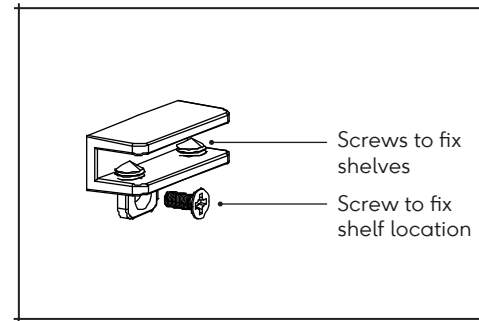
Drill fixing holes and insert wall plugs. Secure the brackets to the wall with the screws provided.



Insert the shelves into the cabinet.

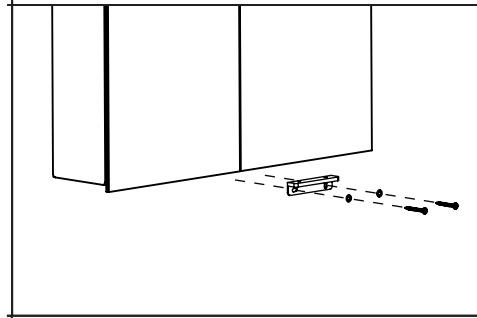


Make the electrical connections, ensure to turn off the electrical supply at the mains. Hang the cabinet on the wall bracket.



The shelves can be adjusted using the screws on the fixtures.

Place one of the small brackets under the cabinet in the centre. Mark out the hole locations. Drill the fixing holes, insert the wall plugs and secure the brackets to the wall with the screws provided. Tighten the screw on the bracket.



If the doors are out of alignment, adjust the screws on the hinges for directional adjustment.
 A. Adjusts the door up or down.
 B. Adjusts the door forward or back.
 C. Adjusts the door left or right.
 If the door needs to be removed, replaced or reversed use the tab at the rear of the hinge.

