

AFTERCARE INSTRUCTIONS

Excessive exposure to water will deteriorate the furniture. Wipe away any water splashes or condensation after use.

All bathrooms should be well ventilated, if needed, with a suitable extractor fan.

Clean with a soft damp cloth only.

Use a wax free polish if one must be used.

CUSTOMER SERVICE

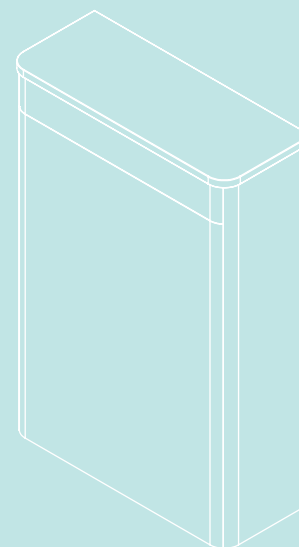
t: +44(0)208 686 5100
e: technical@saneux.com

4 Imperial Way
Croydon CR0 4RR

www.saneux.com

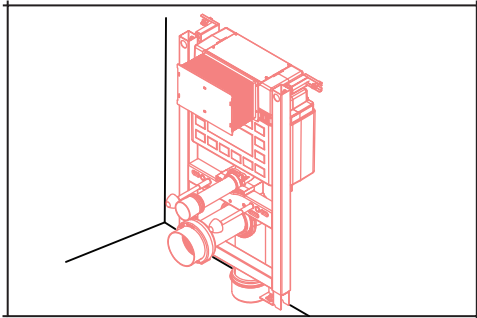
HYDE

INSTALLATION INSTRUCTIONS

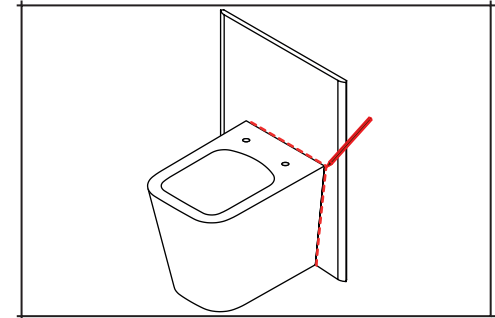


HY060S

saneux

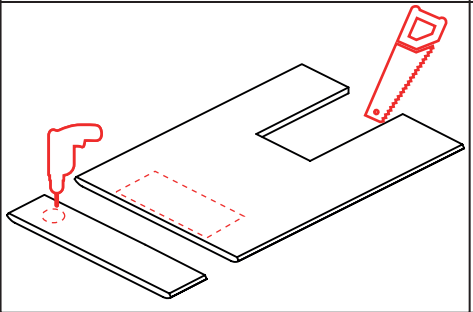
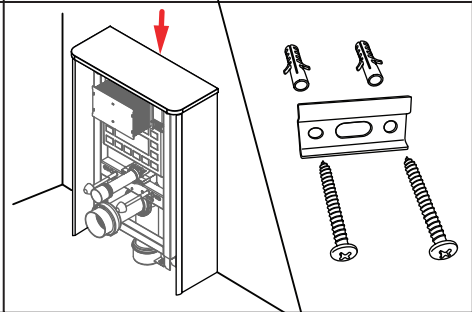


Before installation of the WC unit, the flush frame selected should be mounted on the desired location and all plumbing to the cistern frame should be done.
 We recommend the installation of the following cistern frames:
 FL2024 - Short height cistern and frame
 HC2030 - Short height universal frame

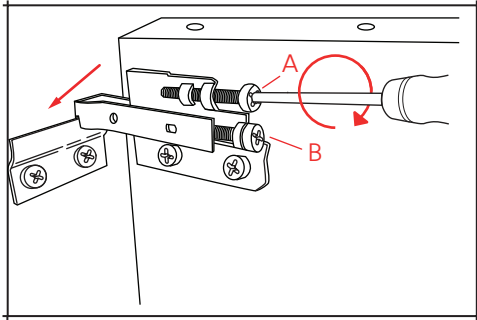


Offer the selected WC pan to the front panel and mark its perimeter.

Assemble the top panel to the side panels using the dowels supplied.
 Offer the unit to the cistern by dropping it from the top and mark the location of the wall hooks.
 Drill and mount the wall plates to the wall, ensuring they are on the inside of the side panels.

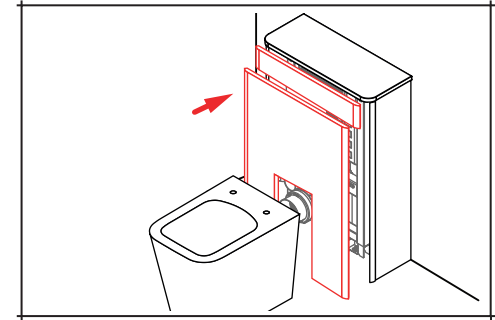


Cut the front panel, within the perimeter marked, ensuring that there is enough space for the inlet and outlet pipes.
 If a flush plate is to go on either of the front panels, mark and cut its location too. **Take care when cutting.**

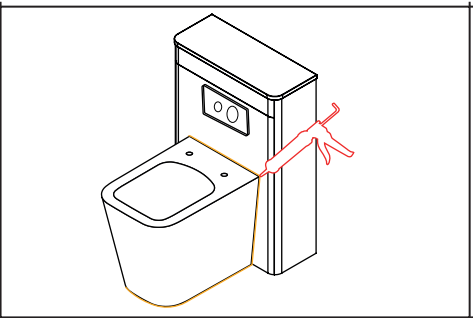
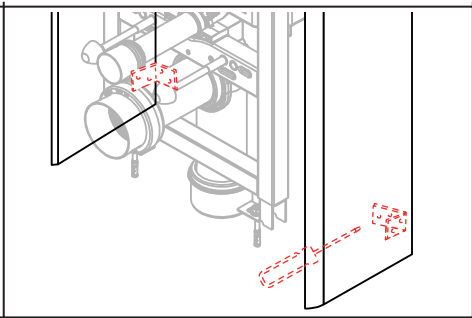


Locate the hangers onto the wall mounting plates.
 Screw A adjusts the height of the unit
 Screw B tightens the unit against the wall.

Push the front panels onto the wall mounted unit, ensuring that they click into position.
 Fix the WC pan to the floor, according to its installation instructions.
Test for any leaks.



Secure the unit to the wall, by drilling the angle brackets to the inside of the side panels, as well as the back wall.
Check that the unit is level and make sure that the front panels will click onto the keku clips before proceeding.



Having finished the installation of the cistern or flush plate/button, apply a later of silicone sealant between the Wc pan and BTW unit. **This will ensure the unit is protected against any liquid damage.**