


## AFTERCARE INSTRUCTIONS

Regular cleaning with a soft cloth will keep the surface of your product looking new. Soapy water can be used to remove stubborn marks. Do not use abrasive or chemical cleaners as these may damage the surface finish over time.

## WARRANTY

This product carries a 5 year warranty against faulty materials & manufacturing defects. The warranty does not cover any defect arising from damage, negligence, usage outside the products intended purpose or fair wear & tear. The warranty does not cover pinholes or other issues caused by insufficient cleansing or protection of the central heating system. We reserve the right to investigate all claims & conduct appropriate testing if deemed necessary. The warranty applies to the first purchaser only, is non-transferable & proof of purchase will be required for all warranty claims. This warranty applies to the United Kingdom only and does not affect your statutory rights. Full warranty terms and conditions can be found on our website.

<p>Reaction to fire: <b>A1</b>          Release of dangerous substances: <b>None</b>          Maximum operating pressure: <b>1000 kPa</b>          Surface temperature: Maximum <b>110°C</b>          Resistance against corrosion: <b>No corrosion after 100 h humidity</b>          Resistance against minor impact: <b>Class 0</b></p>	
---	---

## CUSTOMER SERVICE

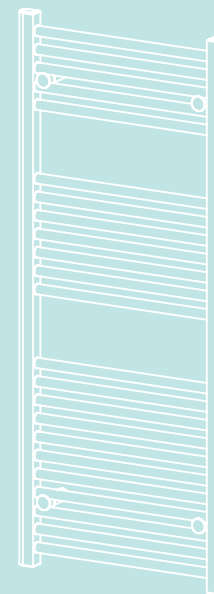
t: +44(0)208 686 5100  
 e: [technical@saneux.com](mailto:technical@saneux.com)

4 Imperial Way  
 Croydon CR0 4RR

[www.saneux.com](http://www.saneux.com)

# EMBER

## INSTALLATION INSTRUCTIONS



EM8005, EM1205

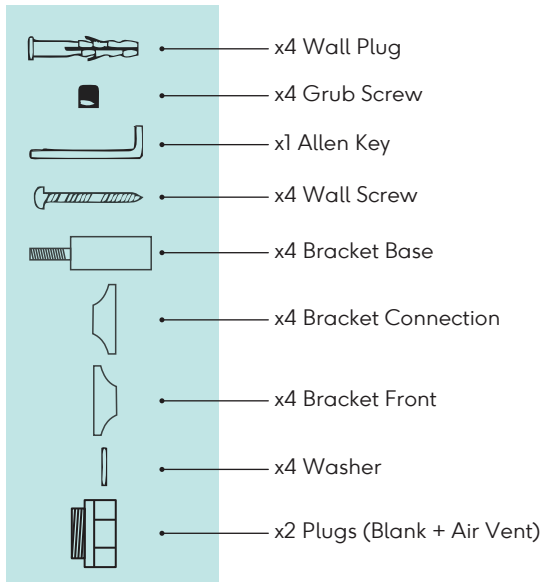
saneux

This product is manufactured from mild steel and is only suitable for installation within a central heating system with a corrosion inhibitor added to the water.

Take care when drilling tiled surfaces as the drill might slip, wear suitable eye protection when drilling. Beware of hidden pipes or cables. The towel rail must be secured to a suitably strong wall to ensure stability. If in any doubt please consult an expert.

Ensure all components are present prior to installation.

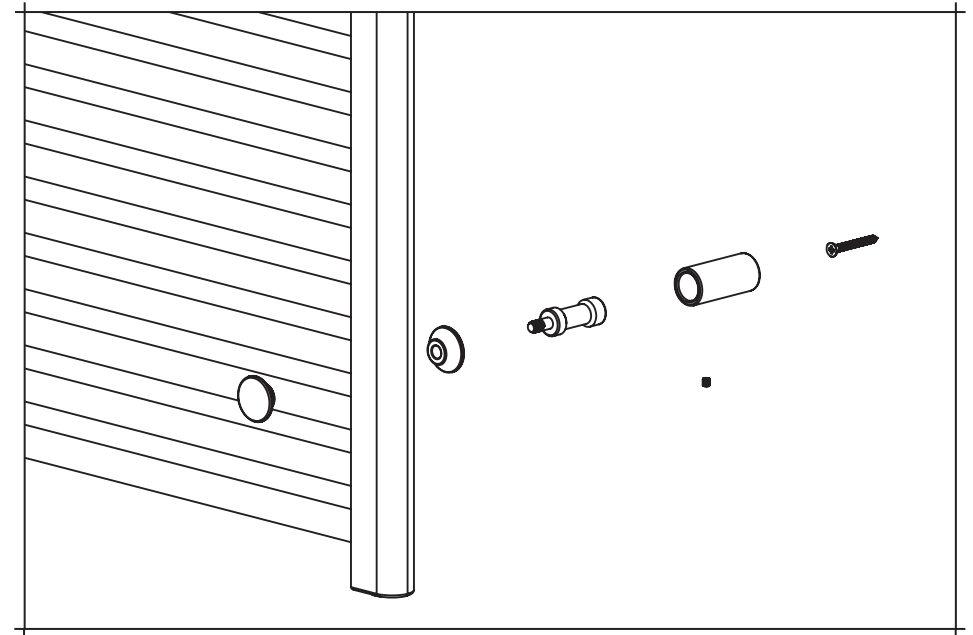
## COMPONENTS



1. Screw the Blank Plug and the Air Vent Plug into the top two threads in the upright channels. The Air Vent Plug can be fitted on either side. Tighten firmly with an adjustable spanner.

2. Wind a thick layer of PTFE tape, clockwise around the radiator valve tails (not supplied). Screw the radiator valve tails into the bottom two threads in the upright channels and tighten firmly.

3. Make sure that the wall is strong enough to hold the weight of the towel rail filled with water. On plasterboard walls we strongly recommend fixing to the timbers. Mark your preferred bracket positions on the wall and drill holes for the fixings you intend to use. The wall plugs supplied are only suitable for solid walls and you will need alternative fixings for other wall types.



4. Screw the Bracket Bases to the wall using the Washers & Wall Screws provided or alternative fixings. The Grub Screws should be facing forward.

5. Screw the Bracket Stems into the threads on the Bracket front, also using the Bracket connection.

6. Hold the towel rail back against the wall and tighten the Grub Screws with the Allen Key provided.

7. Connect the radiator valves (not supplied) and fill the system. Check for leaks and repair any leaks as necessary.

8. Circulate the entire central heating system with a central heating cleanser, carefully following the manufacturer's instructions.

9. After thoroughly flushing the entire central heating system, refill adding a central heating inhibitor, carefully following the manufacturer's instructions.

10. Run the central heating system up to full temperature and release any trapped air using the Air Vent Plug.