

AFTERCARE INSTRUCTIONS

These products have a high quality, durable finish which in order to preserve, should be treated with care.

Clean with warm soapy water and a soft damp cloth only.

Cleaning products, including non-scratch ones could damage the finish.

CUSTOMER SERVICE

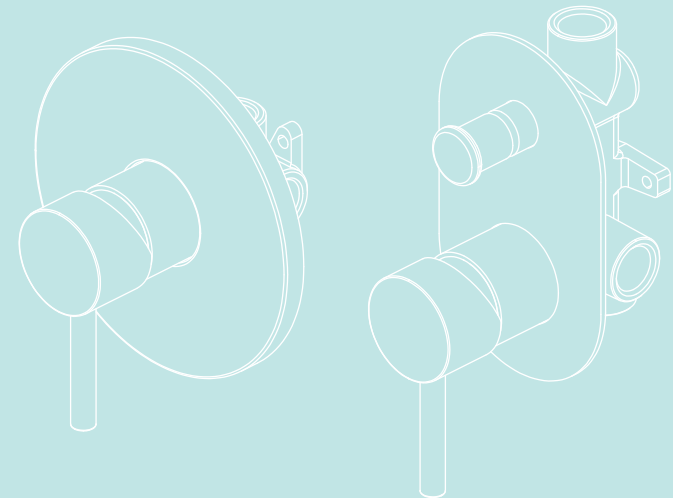
t: +44(0)208 686 5100
e: technical@saneux.com

Iain Stewart Centre, Beehive Ring Rd,
Crawley, Gatwick RH6 0PB

www.saneux.com

COS

INSTALLATION INSTRUCTIONS

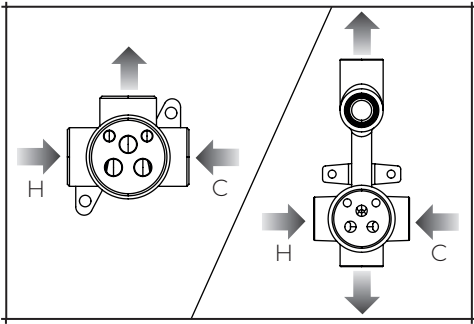


CO210, CO211

saneux

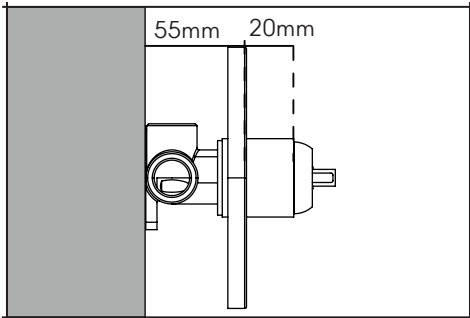
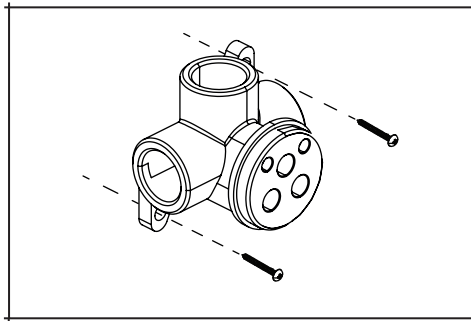
Make sure to flush the pipes of any excess debris before installing the valves, as it may cause damage to the valve internals. Then ensure the water supply is turned off before installing.

Ensure all components are present prior to installation.

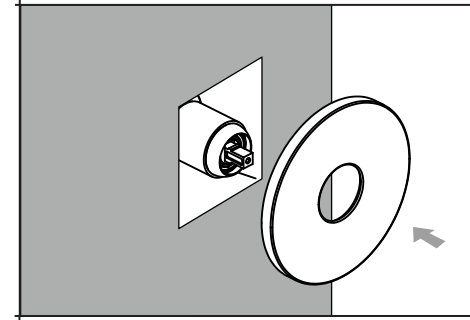


Ensure the pipework is correctly arranged to suit the position of the hot/cold inlets (etched on the valve body).

Fix the valve to the supporting framework using the screws provided.



Ensure the valve is set back from the finished front face of the wall by the correct depth of min 55mm max 75mm (Allow for tiles, adhesive, etc).



Remove the plastic cover protecting the chrome valve. Slide the chrome face plate over the valve until flush against the finished wall surface.

Attach the handle to the valve ensuring the handle lever is facing downward. Fix the handle to the valve using the hex key provided.

